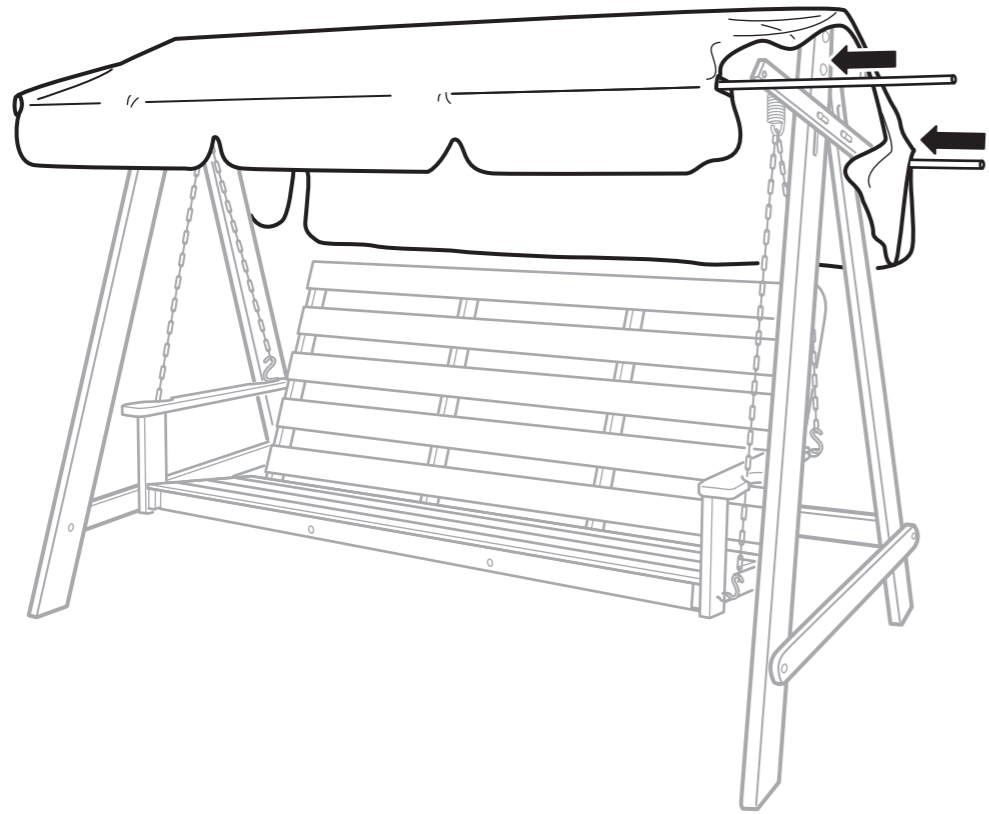


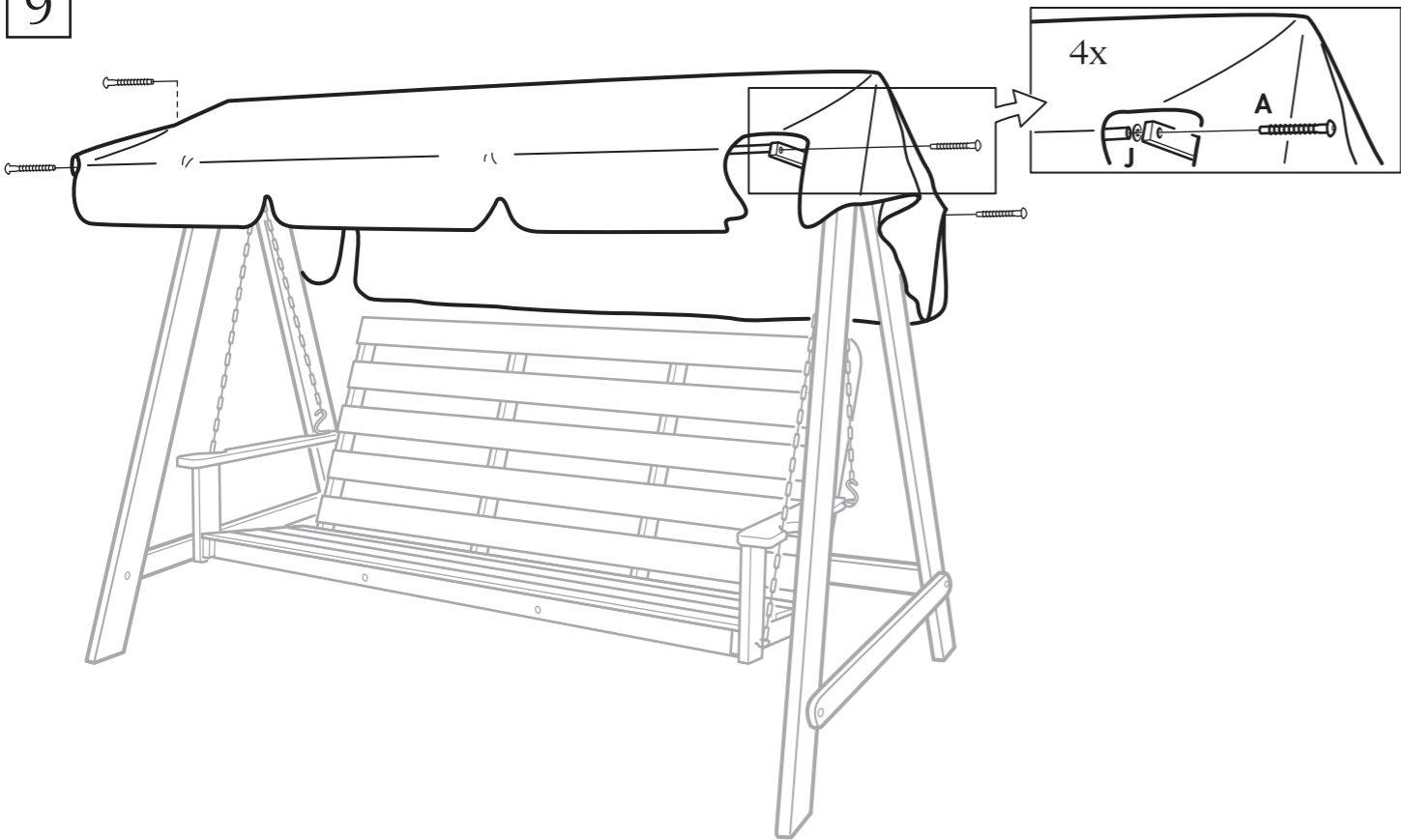
8

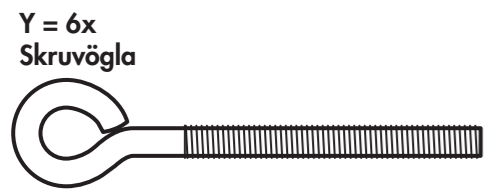
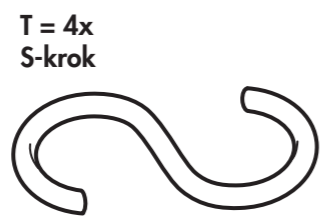
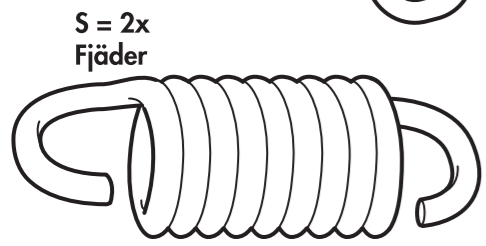
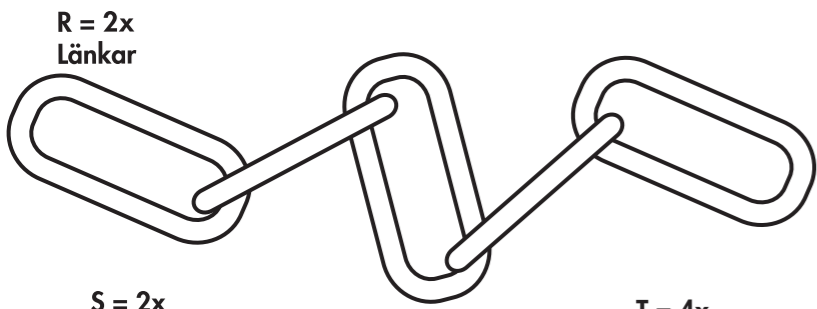
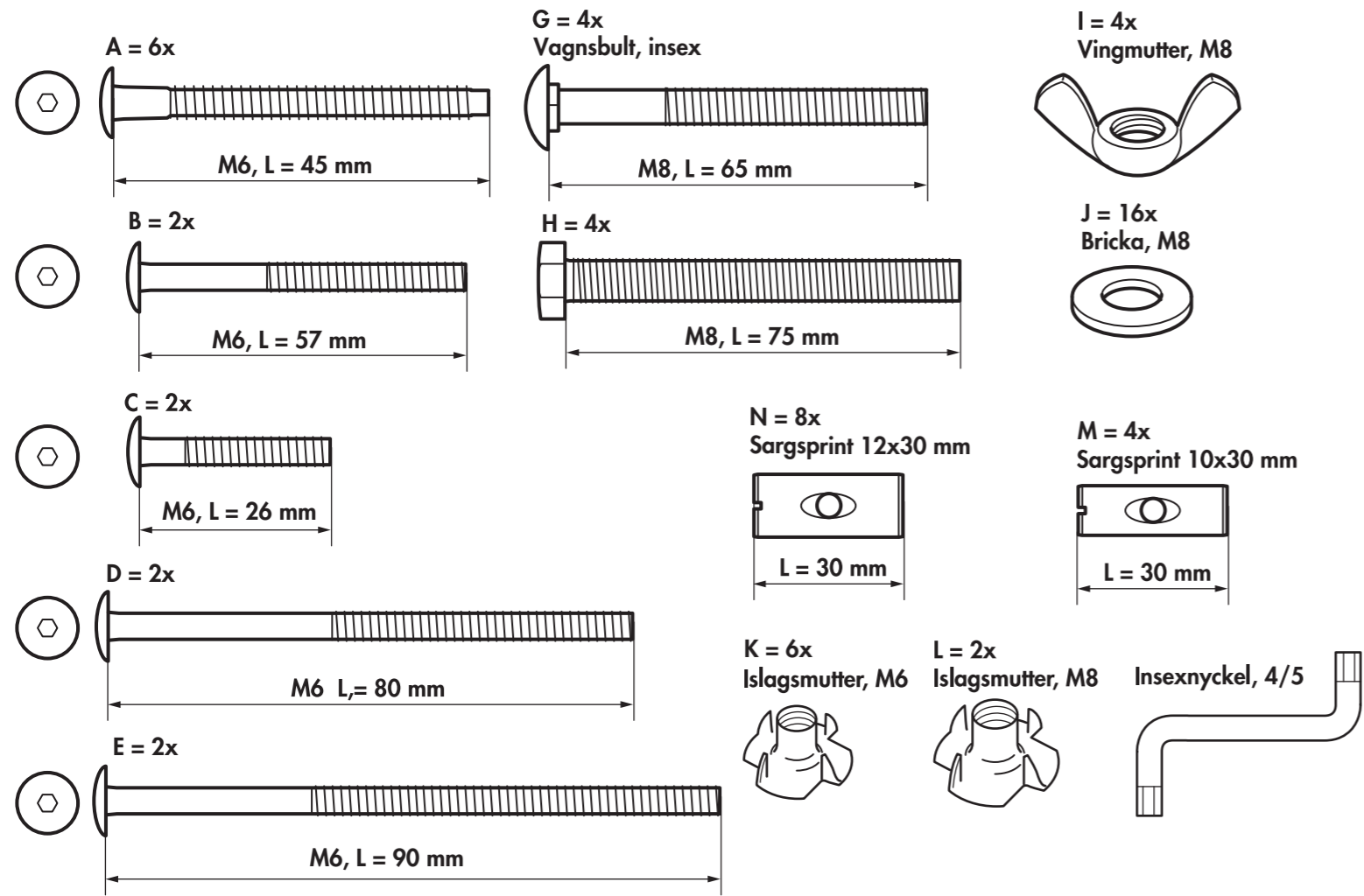


# HAMMOCK, 3-sits

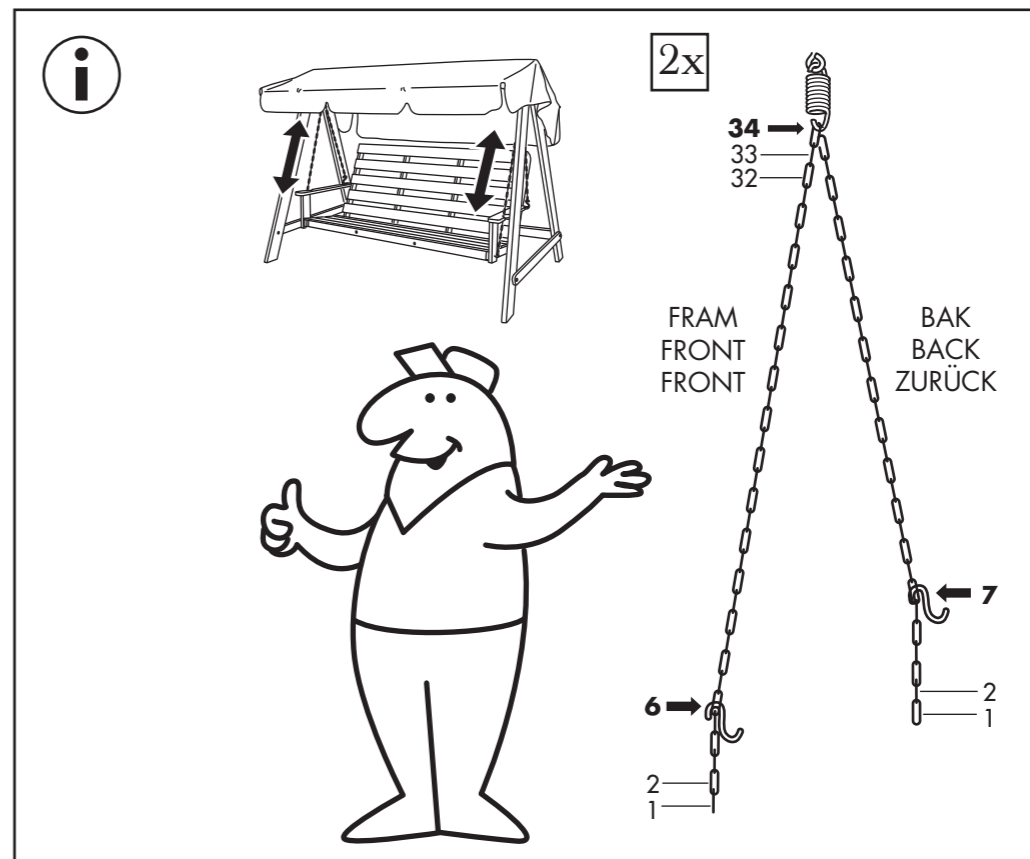
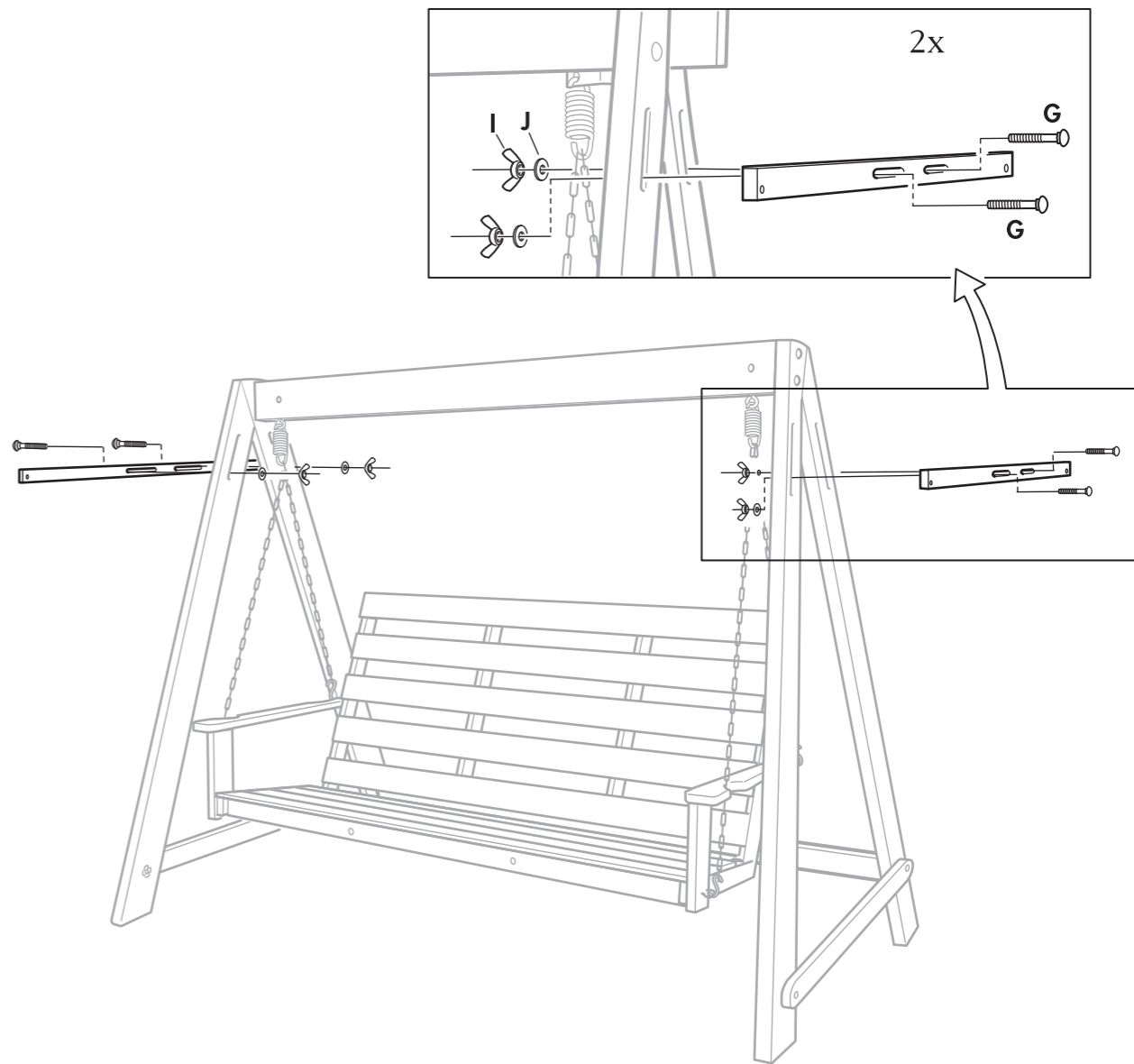
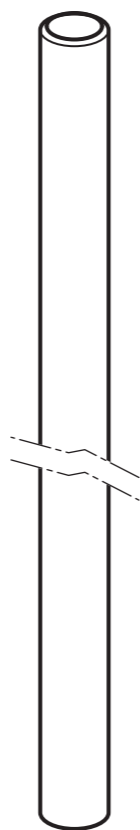
MONTERINGSANVISNING - ASSEMBLY INSTRUCTIONS  
 MONTAGE - MONTAGEANLEITUNG  
 KASAUSOHJEET

9

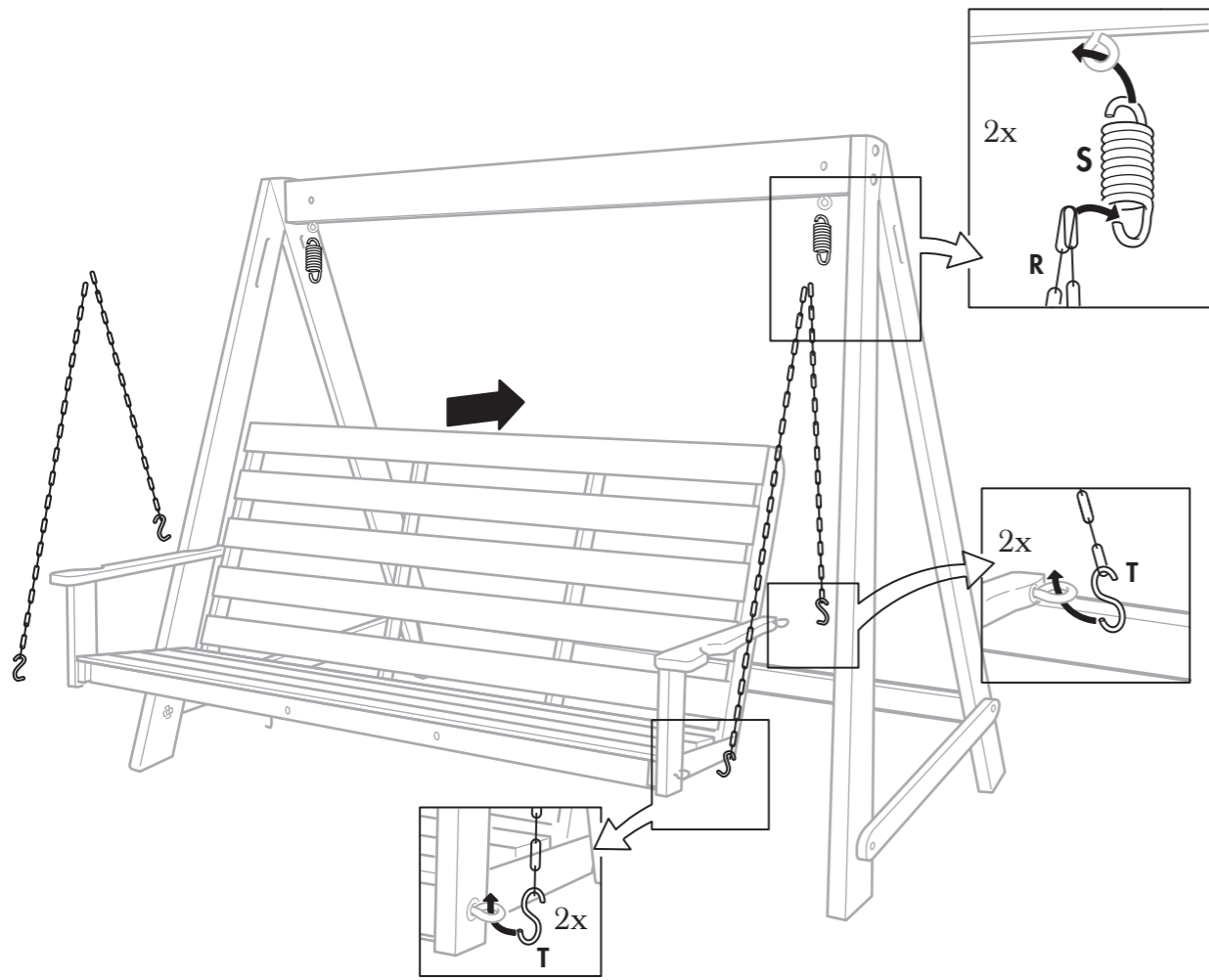




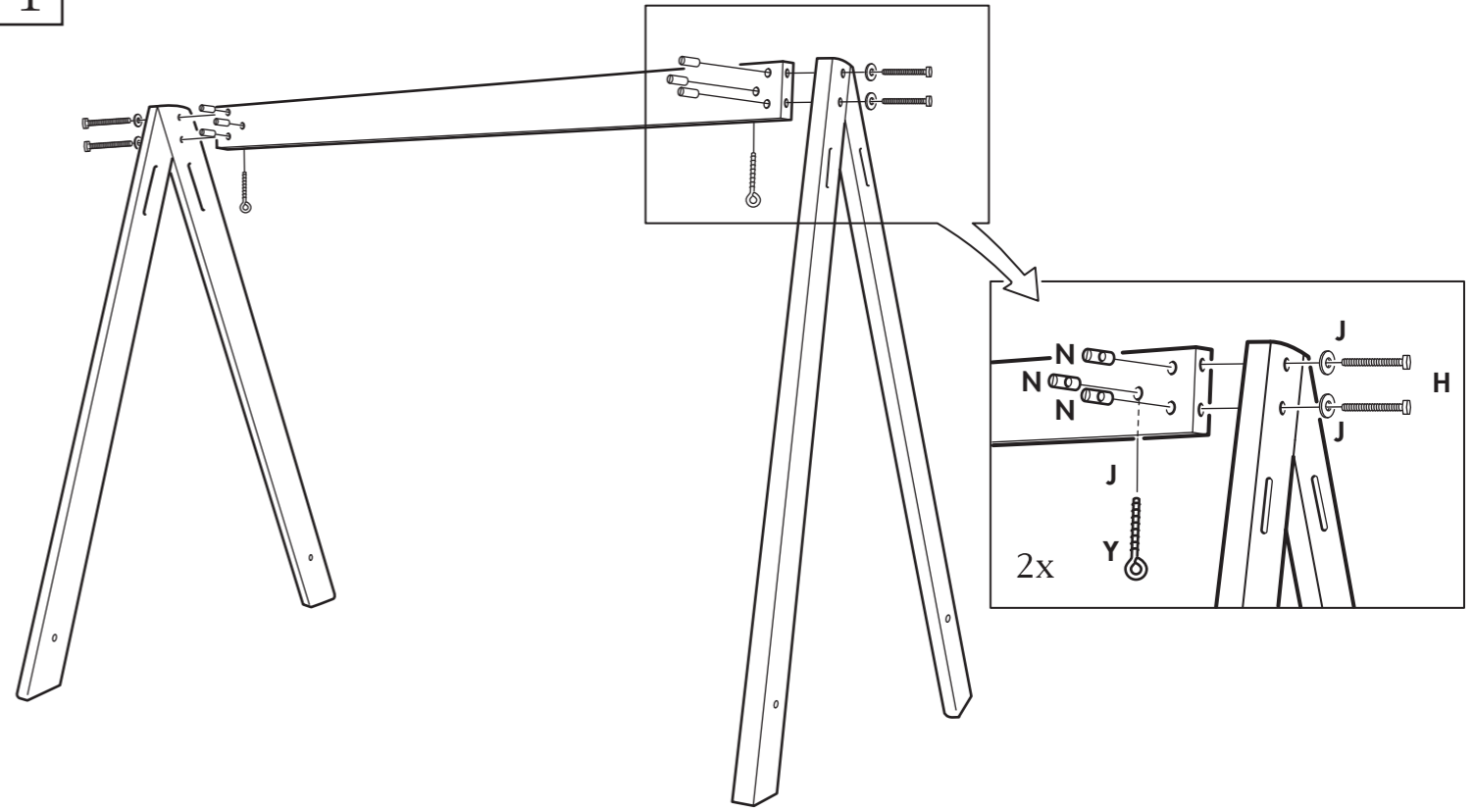
**X = 2x**  
Rör



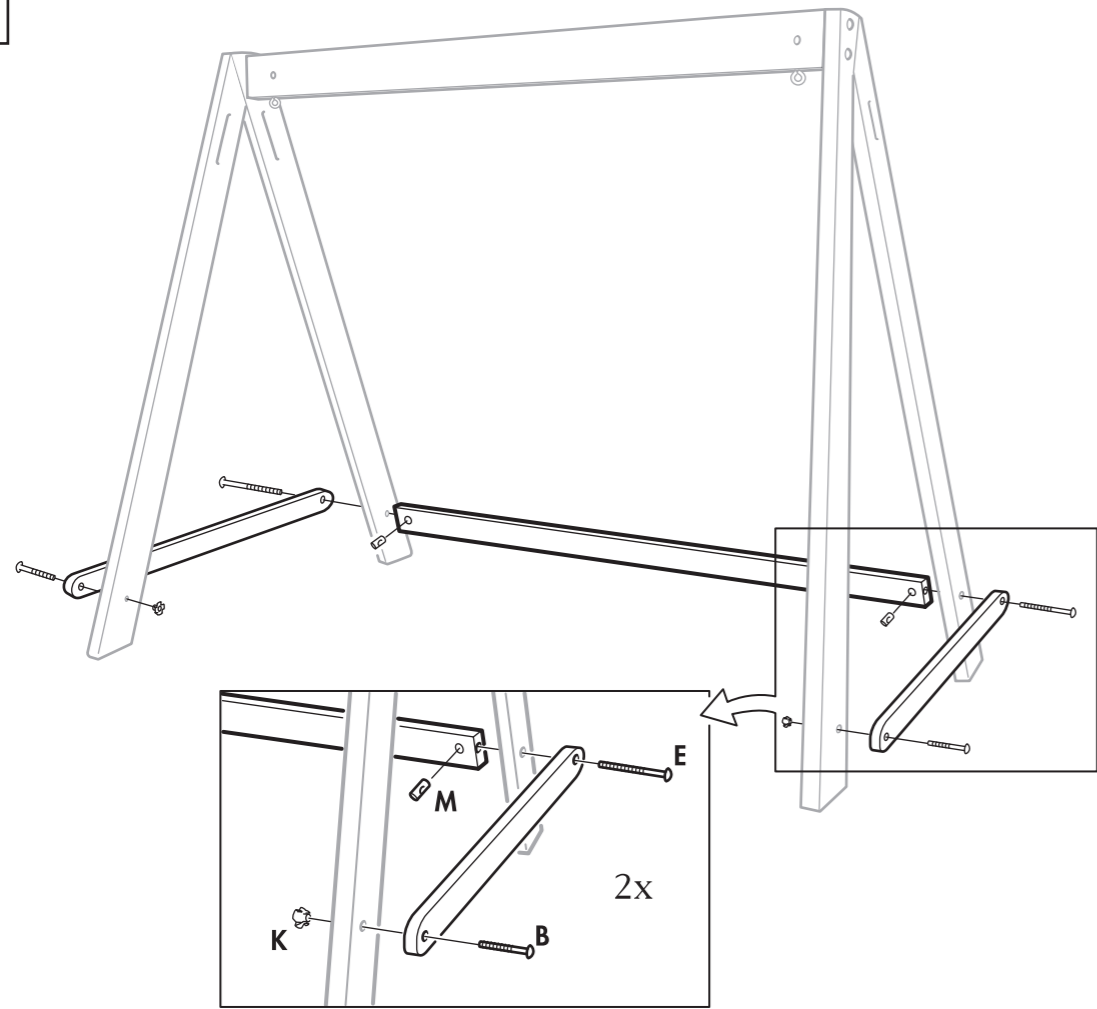
6



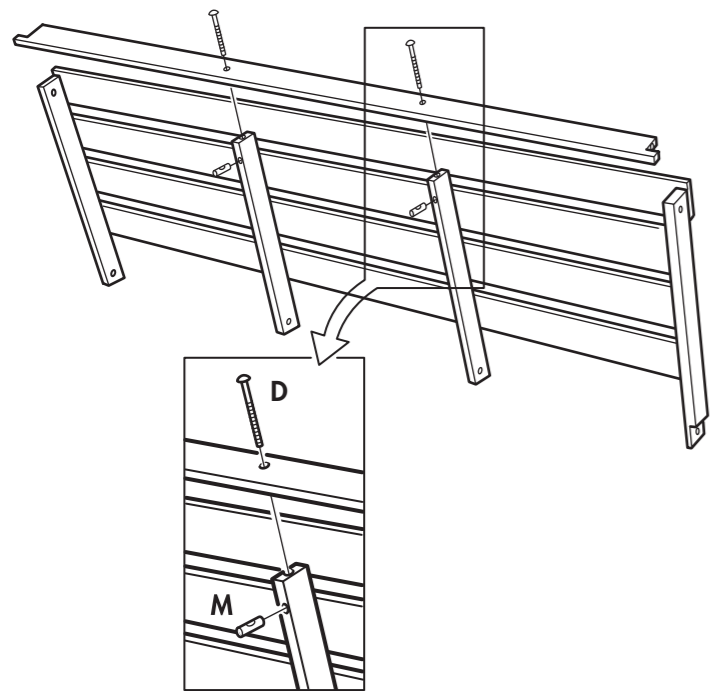
1



3



4



5

