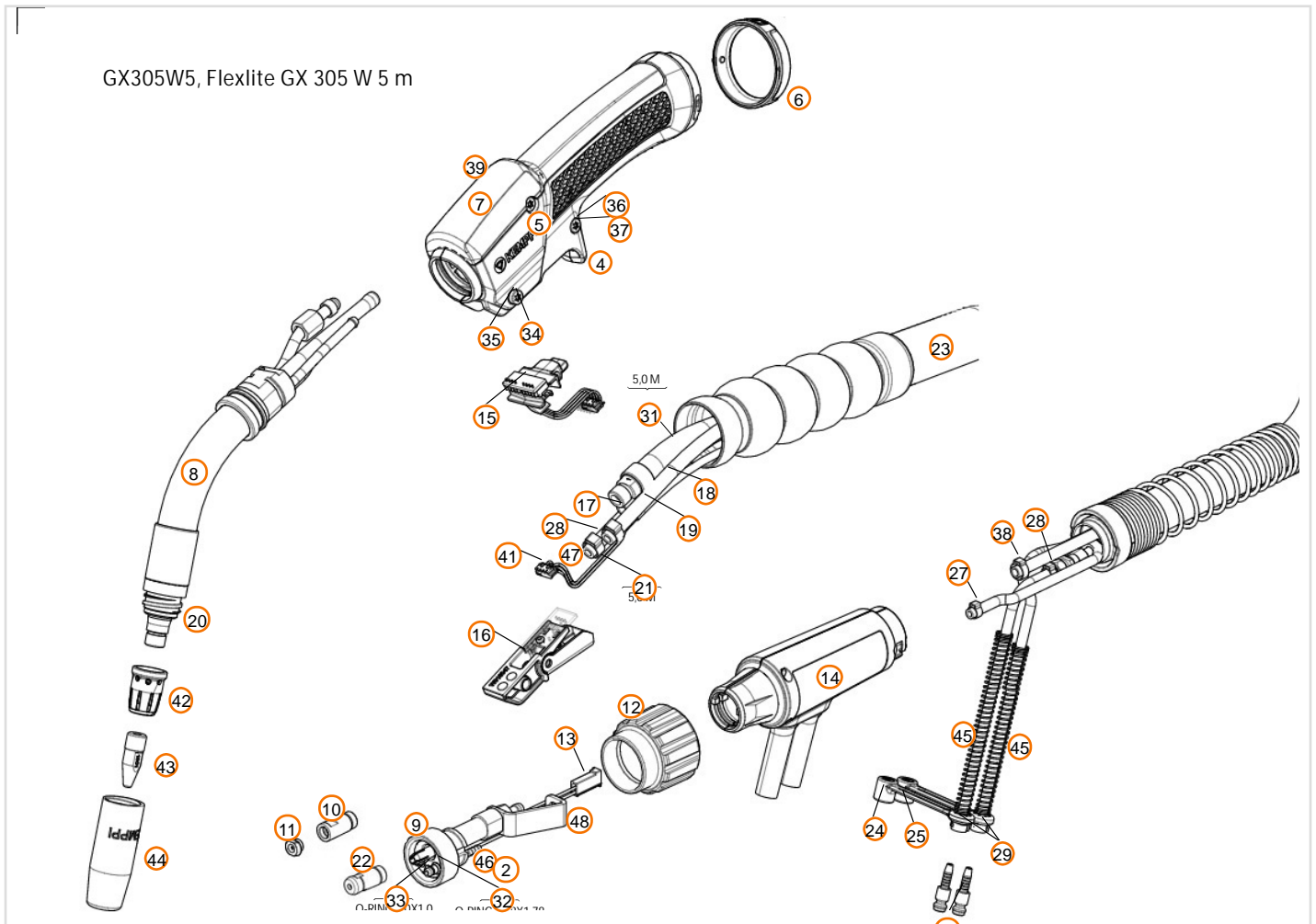


Slitdelar till

Kemppi Flexlite GX 305W





Pos	SKU	Description	Qty	Remark
1	GX305W5	GX 305 W 5M MIG GUN	1	
5	SP800906	HANDLE, GX 5-8 SERIES	1	
6	SP015046	HANDLE LOCKING RING	1	
7	SP801088	COVER FOR HANDLE	1	
8	SP014957	NECK 300 W, GX	1	
9	SP014619	EURO CONNECTOR W, GX	1	
10	SP014605	JACKET NUT EURO ID 7,9 MM	1	
11	SP014606	END CAP EURO CONNECTOR W	1	
12	SP014840	LOCKING NUT FOR EURO CONNECTOR	1	
13	SP015338	CONNECTOR WIRE, GX	1	

Pos	SKU	Description	Qty	Remark
14	SP801087	COVER FOR CONNECTOR, WATER GUN	1	
15	SP800899	CONNECTOR HOLDER WITH WIRE, GX	1	
16	SP022293	TRIGGER MICRO GX 5-SERIES	1	
17	9370166L10	PLASTIC HOSE 5,5/8,0 10 M	1	
18	9370184L20	WATER / GAS HOSE 4/7 20 M	1	
19	9370184L150	WATER / GAS HOSE 4/7 150M	1	
21	SP015344	CONTROL WIRE SET 5,0 M	1	
23	SP800902	PROTECTIVE HOSE 27/30 5 M, GX	1	
24	SP4298550	PROTECTIVE CAP RED D7/8	1	
25	SP4298560	PROTECTIVE CAP BLUE D7/8	1	
26	SP4270440	QUICK CONNECTOR SPINDLE D9-4ML	1	
27	SP9377119	HOSE CLAMP 008.0-505R6.8-8.0 OET	1	
28	SP9377122	HOSE CLAMP 008.7-505R7.0-8.7 OET	1	
29	SP9377123	HOSE CLAMP 009.5-505R7.8-9.5 OET	1	
31	SP015372	WATER CURRENT CABLE 8 MM2, 5 M	1	
32	SP9520509	O-RING 4,48 X 1,78	1	
33	SP9876673	O-RING 4,0 X 1,0	1	
34	SP009727	SCREW PAIR M3 X 0,5 X 15 TORX	1	
35	SP009728	SCREW SLEEVE M3 X 0,5 X 15 TORX	1	
36	SP010118	SCREW M3 X 0,5 X 8 TORX	1	
37	SP010119	SCREW SLEEVE M3 X 0,5 X 7 TORX	1	
38	SP9377127	HOSE CLAMP 010.9-505R9,2-10,9 OET	1	

Pos	SKU	Description	Qty	Remark
39	GXR10	GUN REMOTE CONTROL	1	
41	SP9770481		1	
42	W013203	CONTACT TIP ADAPTER M10X1 INSULATED	1	
43	CT10C1SD001	CONTACT TIP 1.0 C1 STD M10	1	
44	W014452	GAS NOZZLE THREAD, L57 / OD22 / D14	1	
45	SP011994	PROTECTION SPRING FOR WATER HOSE	1	
46	SP014607	GAS CONNECTOR SPINDLR W	1	
47	W026264	WIRE LINER 0,9-1,2 FE / 5M Ø 5,3/1,8 RD TH STEEL	1	
22	SP022778	LONG NUT EURO GX SMALL	1	
20	SP014446	INSULATING RING 300W	1	
30	SP015937	HANDLE LATCH RETAINER, GX5-8	1	
4	SP015937	HANDLE LATCH RETAINER, GX5-8	1	
2	SP9475002	RETAINING RING 5X0.6	1	
48	SP014617	WATER CONNECTOR EURO W	1	

GX305W5, Flexlite GX 305 W 5 m

