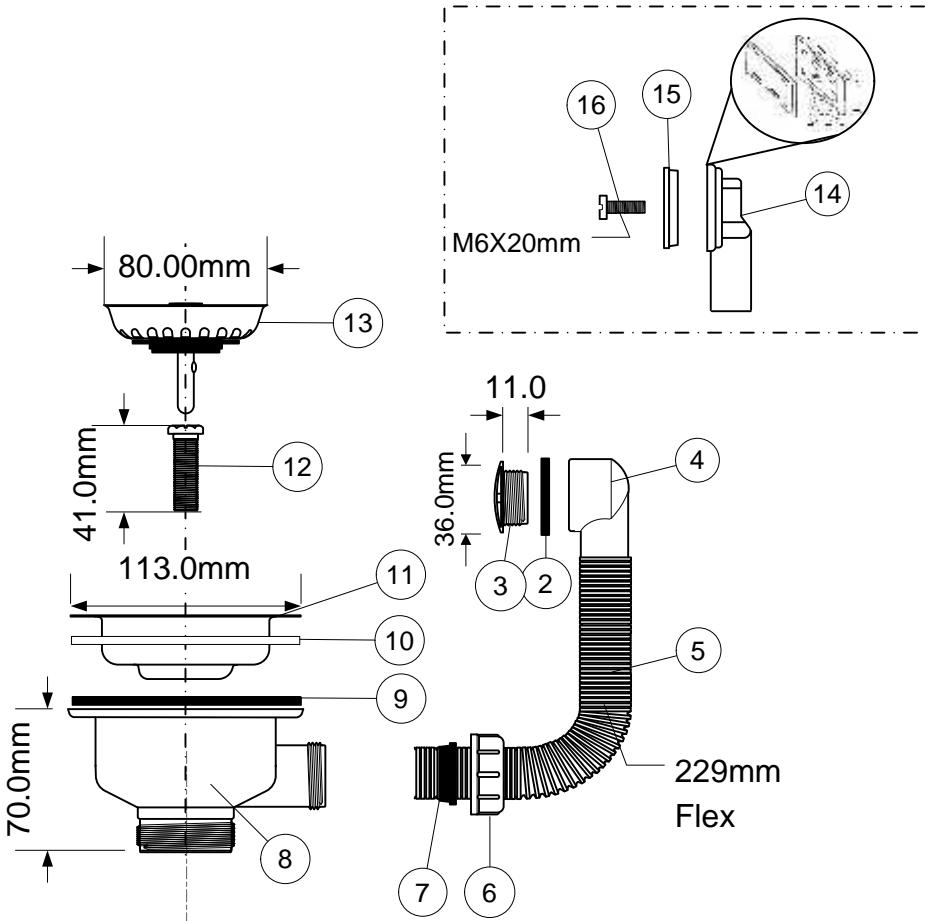
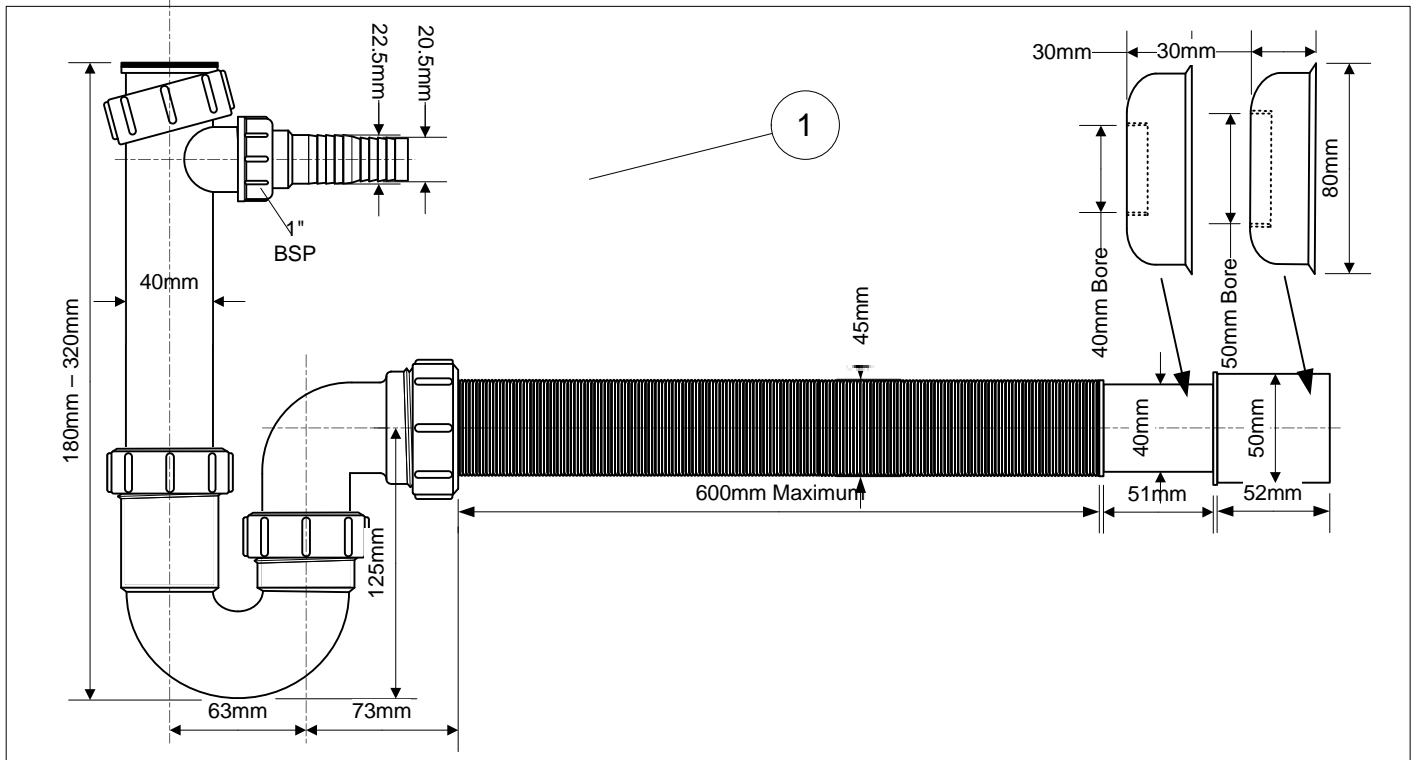


Code:

52494FLJ +FSW50P



1	52494FLJ
2	105805
3	305811
4	305820
5	FLEX25-229-BL
6	NUT-1.00
7	1.0-ISO
8	FSW50BODY-STEM
9	P-RW-BSW
10	P-SPW-BSW-2MM
11	P-F-BSFLANSTEM
12	BSWFERRULE-41
13	BWSTSS-TOP
RECTANGULAR OVERFLOW	
14	O/F-RECT-6MM
15	O/F-RECT-SEAL
16	P-CPIN-20MMPAN



C
McALPINE
 22/02/2013

Drawing verified
correct as of:

DRAWN BY

DL

REVISED

03/09/2013 DL

FILENAME

52494FLJ+FSW50P.VSD

SCALE

1 : 3.5

DATE

22/02/2013